



# hd PL24i

## PowerLine Stick

The **hd PL24i** is a passive 1-way column speaker with an elegant look and excellent sound characteristics. The 24 high-performance 3" broadband chassis produce a coherent sound field with a cylindrical wave propagation. The true cylindrical wavefront provides better speech intelligibility compared to other column loudspeakers and predestines the hd PL24i PowerLine Stick for use in difficult acoustic environments such as churches, train stations, airports or concert halls where clarity, performance and a discreet look is required. The large range of up to 30 m and horizontal coverage of 80° ensures efficient sound solutions with only a few speakers. The shielded 3" chassis produce a punchy sound with simultaneous hi-fi resolution. The M6 square nuts through-hole on the back of the speaker allows mounting brackets. Internal clamping connections ensure a tool-free and quick connection of the loudspeaker. For optimum adaptation to the room architecture, the loudspeaker can be customized in all RAL color and special length.

### Features

- real cylindrical wave propagation
- elegant design
- precise, even sound emission
- coverage pattern 80° x 8°
- excellent speech intelligibility
- discreet room integration
- 100V version available
- custom length possible

### Anwendung

Restaurants, bars, airports, train stations, home theater, conference rooms, hotels, A/V installations, multimedia applications, meeting rooms, TV studios, churches, live music, DJ, concert halls, radio

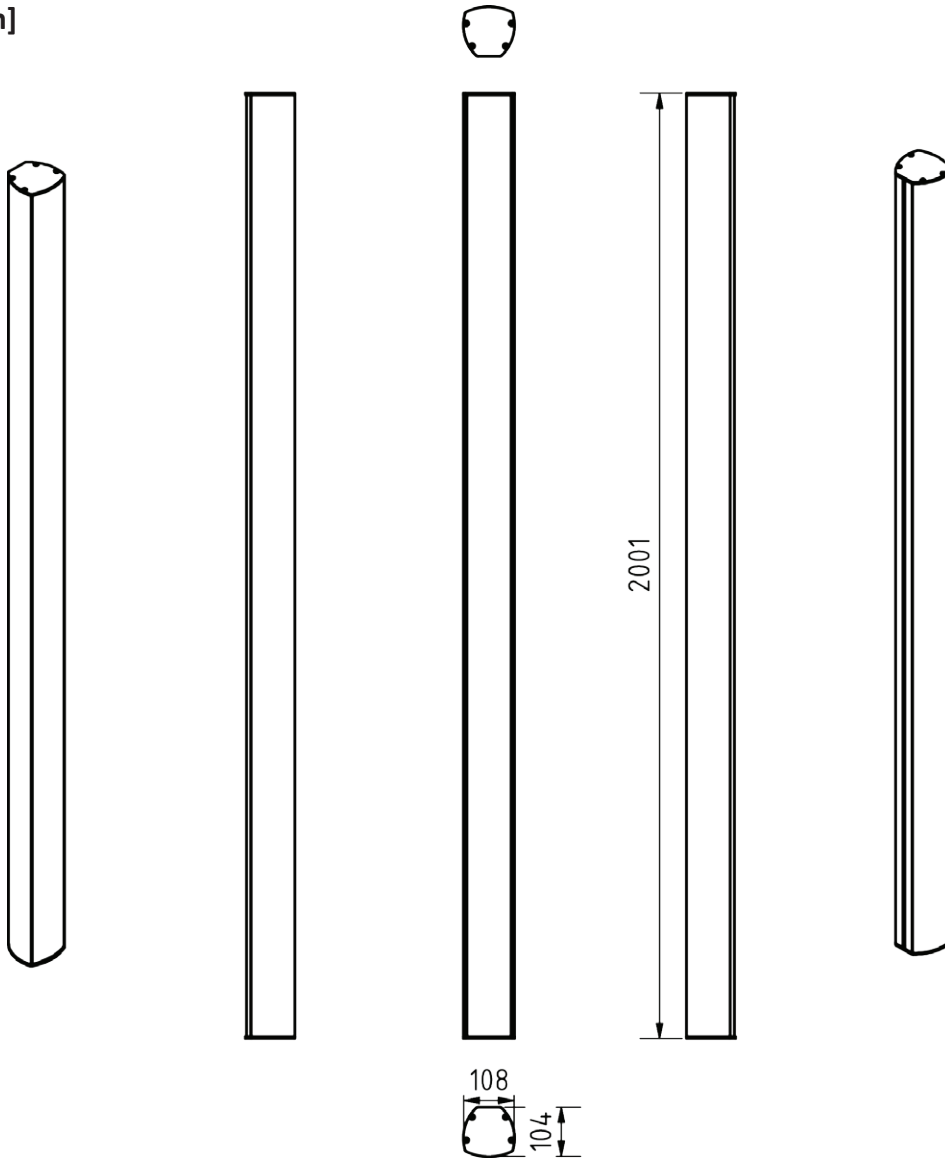
<b>Model</b>	<b>hd PL24i</b>
<b>Order number</b>	40157
<b>Acoustic design</b>	LineSource
<b>Transducers</b>	24x 3" fullrange chassis
<b>Impedance</b>	6 Ω
<b>Coverage (hor x ver)</b>	80° x 8°
<b>Frequency range (-6dB)</b>	80 Hz - 18 kHz
<b>Sensitivity (1W / 1m)</b>	97 dB
<b>Power Rating AES / Peak</b>	900 / 1260 W
<b>SPLmax @ 10% THD</b>	128 dB
<b>Enclosure</b>	powder-coated aluminum profile black, steel grille with acoustic foam, internal clamping terminal, cable inlet at the rear, incl. 2x M6 nut
<b>Optional Accessories</b>	RAL color (Art. 1070) various wall mount Special length (Art. 40715) Weather resistant (Art. 40610) 100V-Transformer (Art. 1074)
<b>Weight</b>	15 kg
<b>Dimensions (W x H x D)</b>	108 x 2001 x 104 mm



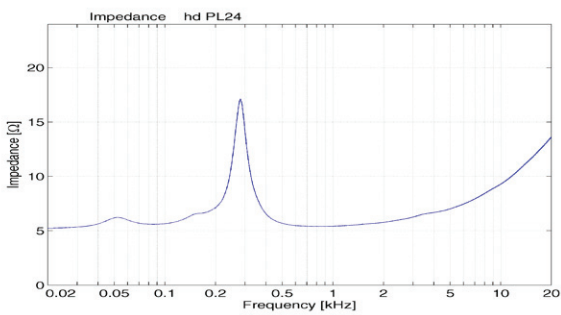
...simply harmonic sound

# hd PL24i datasheet

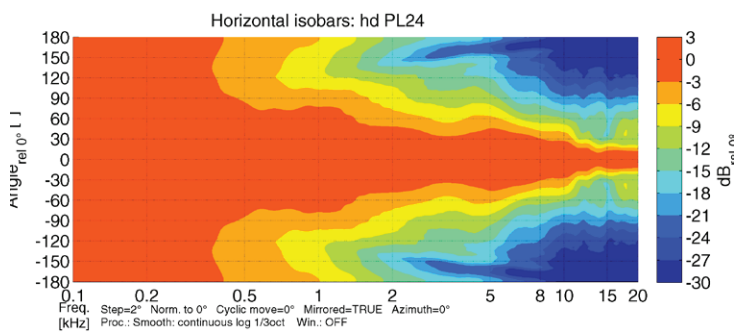
## Dimensions [mm]



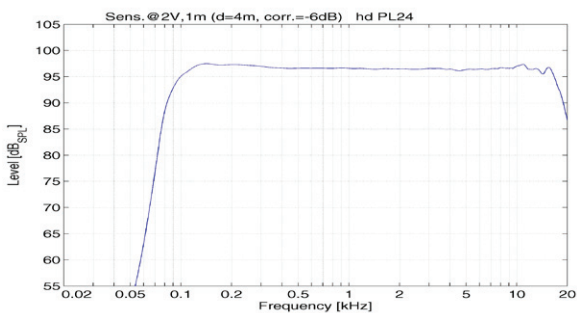
## Impedance



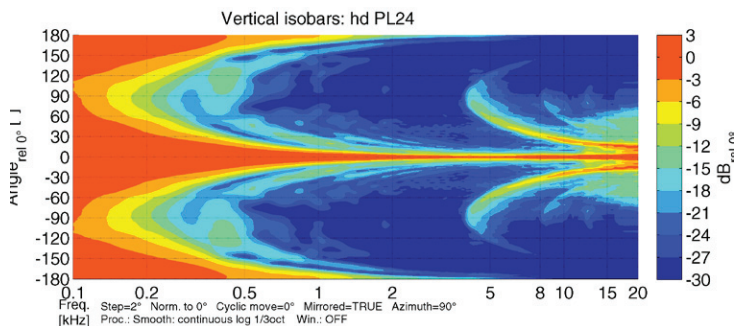
## Horizontal Isobars



## Frequency response with DSP preset

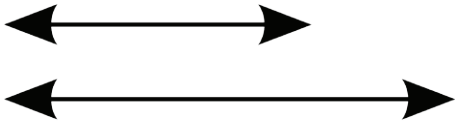


## Vertical Isobars



# hd PL24i datasheet

## Accessories



### Special length

Special length of the speaker according to customer requirements

Order number: 40715 (up to 3000 mm total length)



### RAL color

Special color per article according to RAL color chart

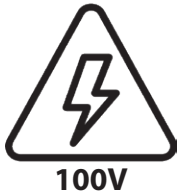
Order number: 1070



### Weather resistant

Impregnation against weather influences

Order number: 4610



### 100V-Transformer

integrated 100V transformer with three power taps (30/15/7,5 W)

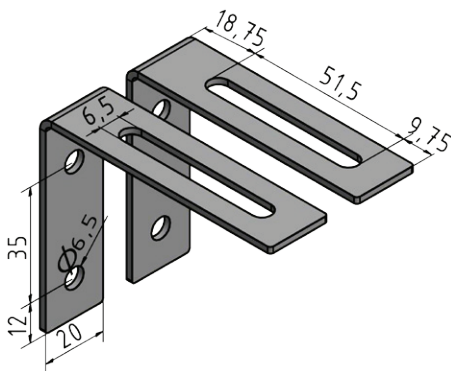
Order number: 1074



### Wall mount 24481

Wall distance 110 mm, laterally swiveling with inclination up to 30°

Load capacity: 25 kg  
Dimensions (W x H x D): 120 x 220 x 110 mm  
Order number: 900852BLK (black RAL 9005)  
900852W (white RAL 9010)



### L-bracket wall mount-set

Discreet L-bracket set for extremely close mounting of the speaker to the wall. Side swivel with inclination up to 5°. The speakers housing plates are equipped with M6 inlet threads.

Incl. 2x M6x14 hexagon socket screws

Load capacity: 30 kg  
Dimensions (W x H x D): 20 x 60 x 80 mm  
Order number: 900106 (in RAL color of speaker)