



hd MLC

Cardioid Add-On

The **hd MLC** cardioid expansion module is available for demanding applications in mobile and fixed installations, effectively attenuating the back radiated frequency components by up to 20 dB. The further optimized directivity of the column speaker by the cardioid module thus considerably reduces the feedback susceptibility in the low-mid range and at the same time improves speech intelligibility, since no sound energy is radiated diffusely into unwanted areas. The hd MLC module is mounted directly on the back of the hd ML-/PL-Series LineArray Stick and operated via a separate amplifier channel. Cardioid or hypercardioid characteristics can be easily retrieved via the corresponding DSP preset. In addition to the reduction of the back radiated sound energy, the hd MLC cardioid module also extends the sound pressure in the low-midrange in the audience direction. This makes the sound even more punchy and dynamic with the same line length. A Speakon jack is located on the bottom plate for connecting inputs in mobile applications. A 35 mm flange allows the standalone use as a main speaker on a tripod.

Features

- PointSource or Cardioid Add-On
- Standalone beam angle 100° x 40°
- enables (hyper-) cardioid hor. radiation together with hd ML-/PL-Series main loudspeaker with reverse attenuation up to 20 dB
- enables high speech intelligibility
- custom designs possible

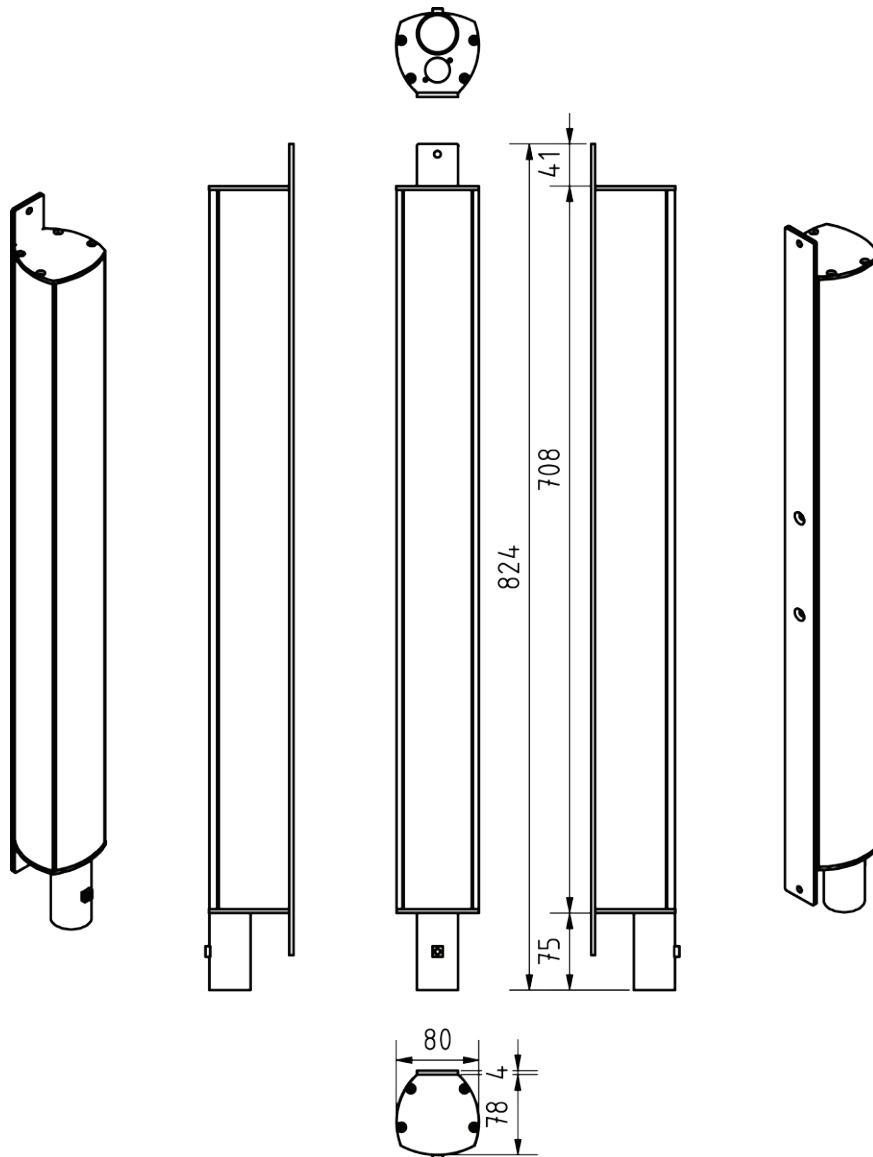
Applications

Restaurants, bars, airports, train stations, conference rooms, hotels, A/V installations, multimedia applications, meeting rooms, TV studios, churches, live music, concert halls, radio

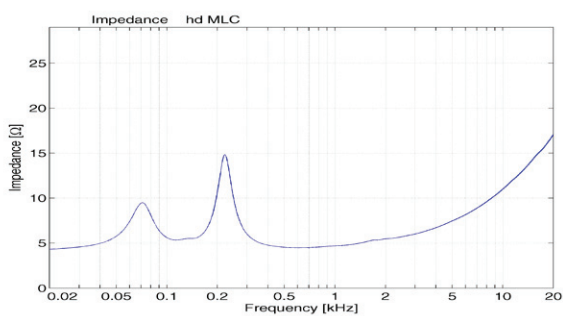
Model	hd MLC
Order number	60206
Acoustic design	Cardioid Add-On / PointSource
Transducers	9x 2" fullrange chassis
Impedance	4 Ω
Coverage (hor x ver)	cardioid, hypercardioid / 100° x 40°
Frequency range (-6dB)	90 Hz - 1200 Hz / 90 Hz - 20 kHz
Sensitivity (1W / 1m)	89 dB
Power Rating AES / Peak	225 / 315 W
SPLmax @ 10% THD	117 dB
Enclosure	powder-coated aluminum profile black, steel grille with acoustic foam, 1x Speakon NL4 + 35 mm flange on bottom cover, mounting rail incl. 2x knurled screw
Optional Accessories	RAL color (Art. 1070) Special length (Art. 40710/40711) Weather resistant (Art. 40610)
Weight	5 kg
Dimensions (W x H x D)	80 x 708 x 78 mm

hd MLC datasheet

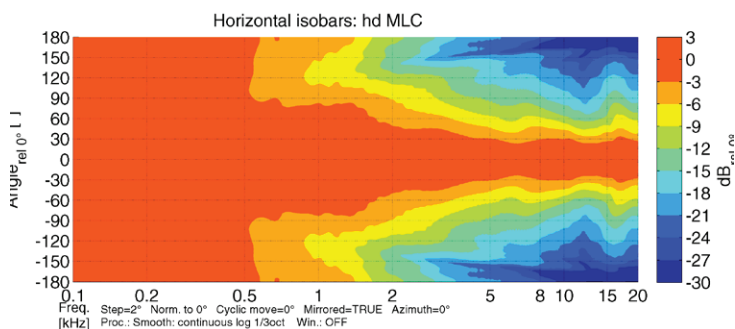
Dimensions [mm]



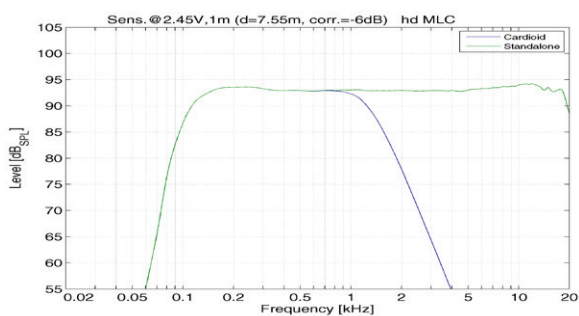
Impedance



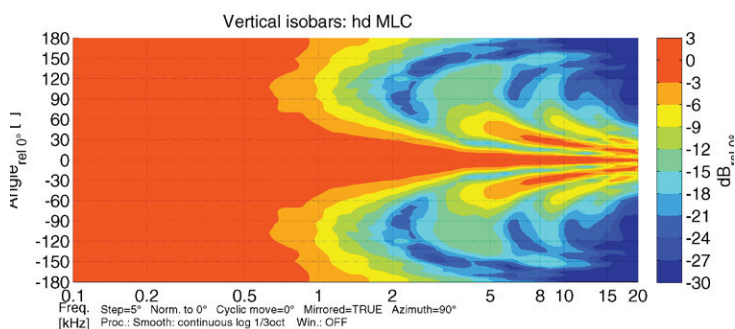
Horizontal Isobars



Frequency response with DSP preset



Vertical Isobars



hd MLC datasheet

Accessories



Special length

Special length of the speaker according to customer requirements

Order number: 40710 (up to 1000 mm total length)
40711 (up to 2000 mm total length)



RAL color

Special color per article according to RAL color chart

Order number: 1070



Weather resistant

Impregnation against weather influences

Order number: 4610