



# hd ML24i

## LineArray Stick

The **hd ML24i** is a passive 1-way column speaker with an elegant look and excellent sound characteristics. The 24 2" broadband chassis produce a cylindrical wave radiation characteristic up to the highest audible frequencies. The resulting higher throw range and better speech intelligibility compared to conventional column loudspeakers predestines the hd ML24 LineArray Sticks for use in acoustically difficult environments such as churches, airports, conference rooms or halls. The large range of up to 25m and horizontal coverage of 100° ensures efficient sound solutions with only a few speakers. The 2" chassis are the best choice for human voice reproduction due to their low diaphragm weight and nearly the same size as the human vocal cords. The M6 square nut through-hole mullion on the back of the speaker allows mounting of all mounts. Internal clamping connections ensure a tool-free and quick connection of the loudspeakers. For optimum adaptation to the room architecture, the loudspeaker can be customized in all RAL color and special length.



### Features

- real cylindrical wave propagation
- elegant design
- precise, even sound emission
- coverage pattern 100° x 10°
- excellent speech intelligibility
- discreet room integration
- 100V version available
- custom length possible

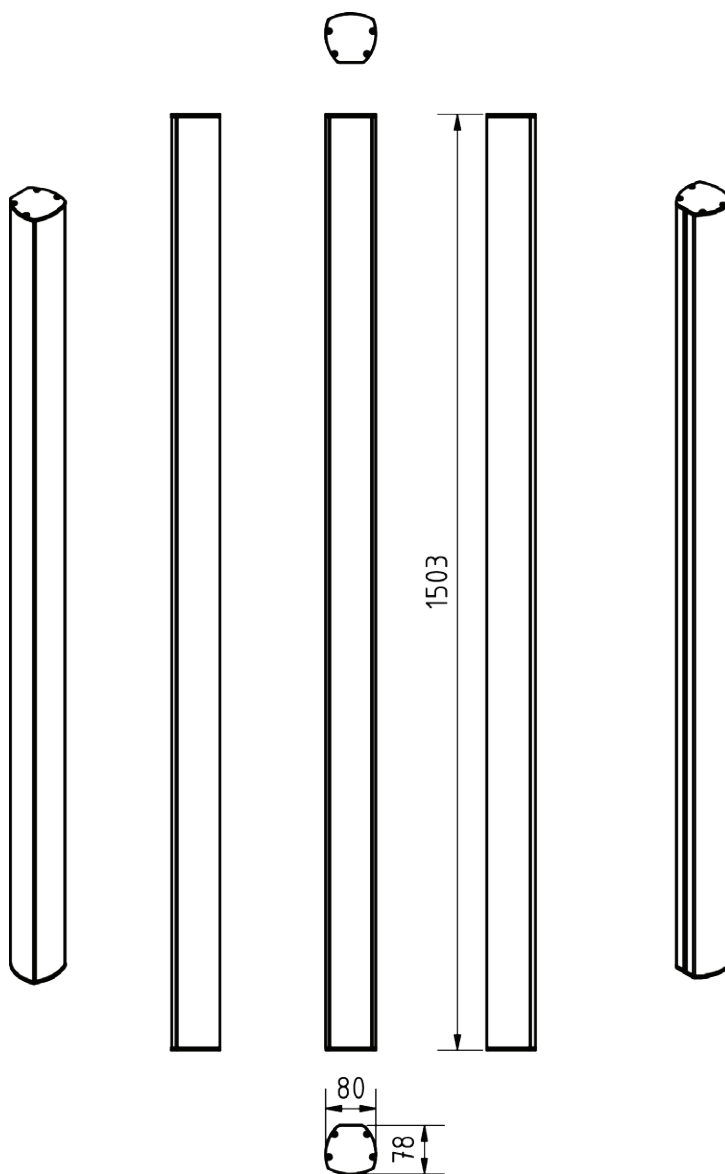
### Applications

Restaurants, bars, airports, train stations, home theater, conference rooms, hotels, A/V installations, multimedia applications, meeting rooms, TV studios, churches, live music, DJ, concert halls, radio

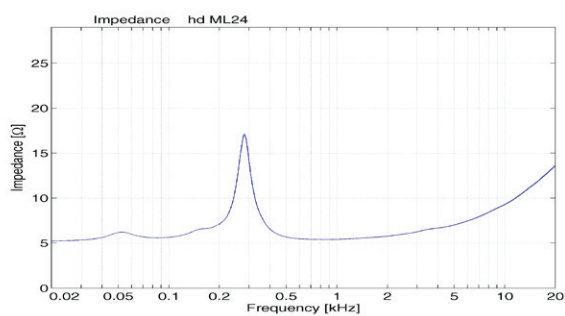
<b>Model</b>	<b>hd ML24i</b>
<b>Order number</b>	40115
<b>Acoustic design</b>	LineSource
<b>Transducers</b>	24x 2" fullrange chassis
<b>Impedance</b>	6 Ω
<b>Coverage (hor x ver)</b>	100° x 10°
<b>Frequency range (-6dB)</b>	120 Hz - 20 kHz
<b>Sensitivity (1W / 1m)</b>	96 dB
<b>Power Rating AES / Peak</b>	600 / 840 W
<b>SPLmax @ 10% THD</b>	125 dB
<b>Enclosure</b>	powder-coated aluminum profile black, steel grille with acoustic foam, internal clamping terminal, cable inlet at the rear, incl. 2x M6 nut
<b>Optional Accessories</b>	RAL color (Art. 1070) various wall mount Special length Weather resistant (Art. 40610) 100V-Transformer (Art. 1074)
<b>Weight</b>	8 kg
<b>Dimensions (W x H x D)</b>	80 x 1503 x 78 mm

# hd ML24i datasheet

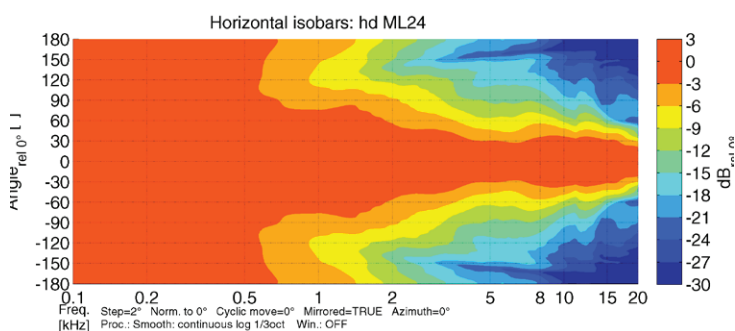
## Dimensions [mm]



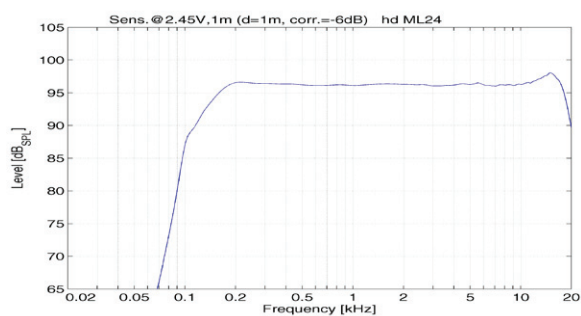
## Impedance



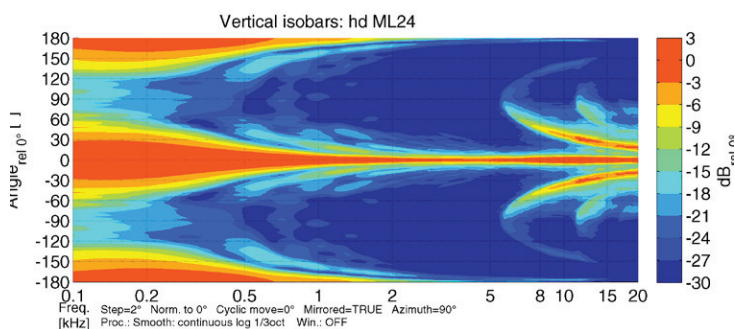
## Horizontal Isobars



## Frequency response with DSP preset



## Vertical Isobars



# hd ML24i datasheet

## Accessories



### Special length

Special length of the speaker according to customer requirements

Order number: 40711 (up to 2000 mm total length)  
40714 (up to 3000 mm total length)



### RAL color

Special color per article according to RAL color chart

Order number: 1070



### Weather resistant

Impregnation against weather influences

Order number: 4610



### 100V-Transformer

integrated 100V transformer with three power taps (30/15/7,5 W)

Order number: 1074



### Wall mount 24180

Wall distance 105 mm, laterally swiveling with inclination up to 15°

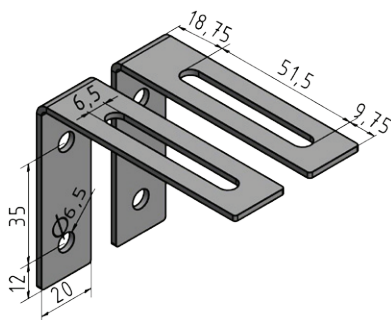
Load capacity: 15 kg  
Dimensions (W x H x D): 70 x 130 x 105 mm  
Order number: 900854BLK (black RAL 9005)  
900854W (white RAL 9010)



### Wall mount 24471

Wall distance 110 mm, laterally swiveling with inclination up to 30°

Load capacity: 15 kg  
Dimensions (W x H x D): 90 x 160 x 110 mm  
Order number: 900851BLK (black RAL 9005)  
900851W (white RAL 9010)



### L-bracket wall mount-set

Discreet L-bracket set for extremely close mounting of the speaker to the wall. Side swivel with inclination up to 5°. The speakers housing plates are equipped with M6 inlet threads. Incl. 2x M6x14 screws

Load capacity: 10 kg  
Dimensions (W x H x D): 20 x 60 x 80 mm  
Order number: 900106 (in RAL color of speaker)